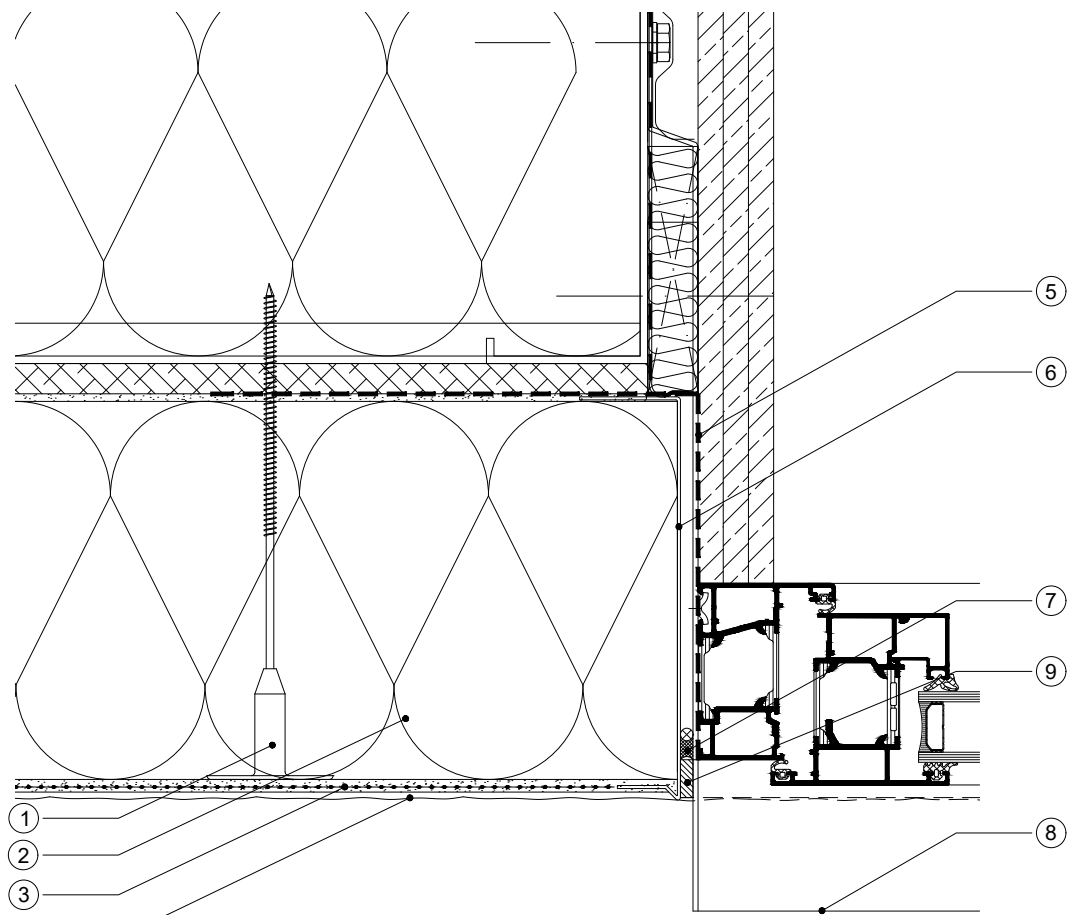
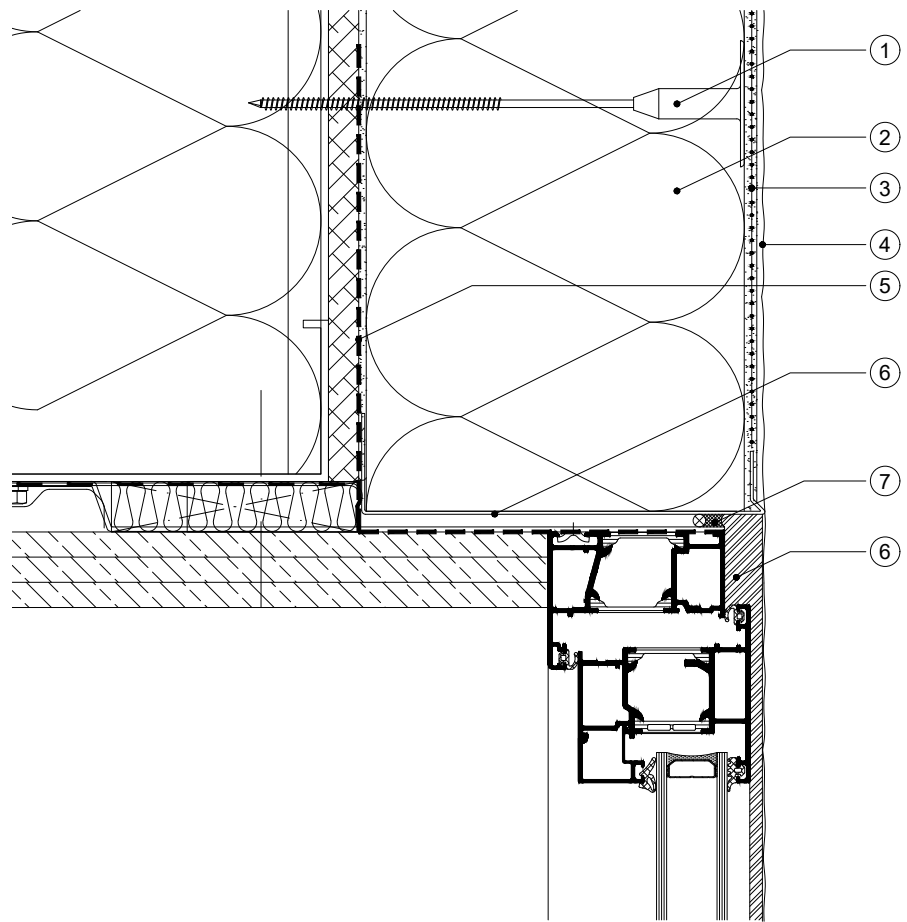


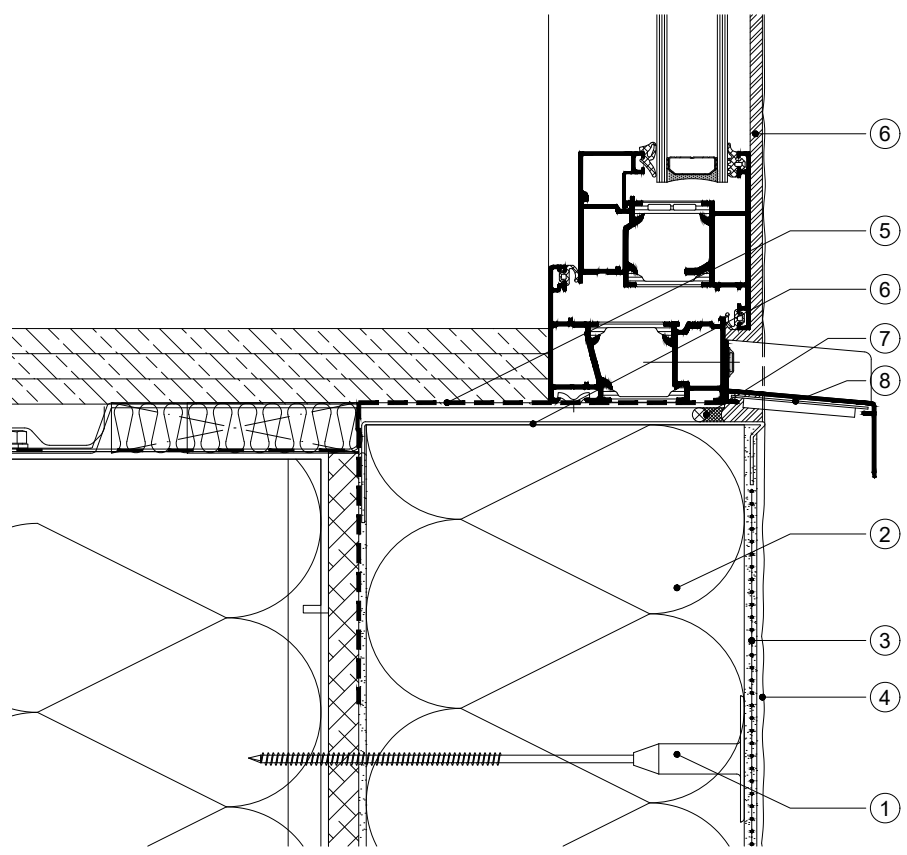
NOTE : 1. Ensure that drainage openings to window frame/sill are maintained
 2. Window type and fixing position may differ from those shown drawing is therefore indicative only.



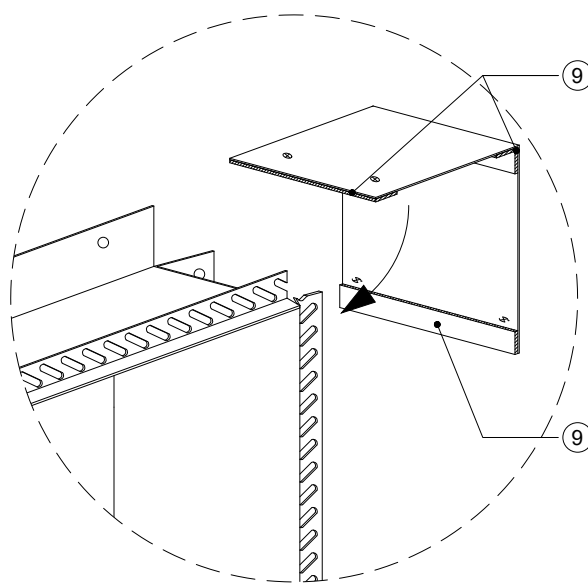
JAMB



HEAD



SILL



Aluminum Corner Connector

- ① Permarock Insulation Fixing at max 300mm centres around structural opening
- ② Permarock Mineral Fibre Insulation on Permarock Lamella Adhesive or Permarock HP Adhesive (100% coverage)
- ③ Permarock Bedding Mortar incorporating Permarock Reinforcing Mesh
- ④ Permarock Decorative Finish
- ⑤ EPDM (by others)
- ⑥ Permarock Full System Stop Bead, polyester powder-coated aluminium: RAL colour to be advised
- ⑦ Backing rod and silicone sealant (by others)
- ⑧ Window sill installed after EWI installation (by others)
- ⑨ Permarock Sealing Tape

Where applicable all dimensions and details should be read in conjunction with specialist consultants drawings and the project specification.
 All dimensions should be checked on site by the contractor and any discrepancies should be brought to the attention of Permarock Products Ltd.
 This drawing is the copyright of Permarock Products Ltd. It shall not be copied to any other third party without the express written consent of Permarock Products Ltd.
DISCLAIMER: Whilst this information/document/proposal (together "Information") is based on the latest manufacturer facts and findings of which we are aware, we are not engaged as a designer or other contractor in respect of your project and so the Information is general in nature and we cannot guarantee that any Information provided meets all of your specific project requirements. Given this, we cannot guarantee that any products selected, specified and/or purchased by you and their proposed applications are fit for the intended purpose. Any specification or purchase by you is at your own risk and we recommend the Information be reviewed and approved by an appropriately qualified professional prior to specification or purchase. Without prejudice to the generality of the foregoing, you (or the appropriately qualified professional from whom you seek advice) shall ensure that any performance criteria and/or coverage rates quoted can be achieved in each instance when compiling or pricing specific projects. To the extent permitted by law, Permarock will not be liable (whether in contract, tort (including negligence), breach of duty, misrepresentation or otherwise) for any loss or liability (of whatsoever kind) arising out of or in connection with any Information we may provide.

Notes :

Rev	Date	Amendments	By	Approved
1	24/06/24	MF hatching	HN	JFR
2	22/11/24	HP Adhesive	HN	JFR

Permarock Products Ltd.
 Jubilee Drive
 Loughborough
 Leicestershire
 LE11 5TW
 Tel: (01509) 262924
 Email: permarock@permarock.com
 Web: www.permarock.com

Client : -

Project : Standard Detail

Project Ref : -

Title : Full System Stop around Projecting Window Frame

Drawn By : TYY Approved By : JFR

Date : 29/05/2019 Original Size : A3

Scale : NTS

Drawing No : LSF007C Rev.2