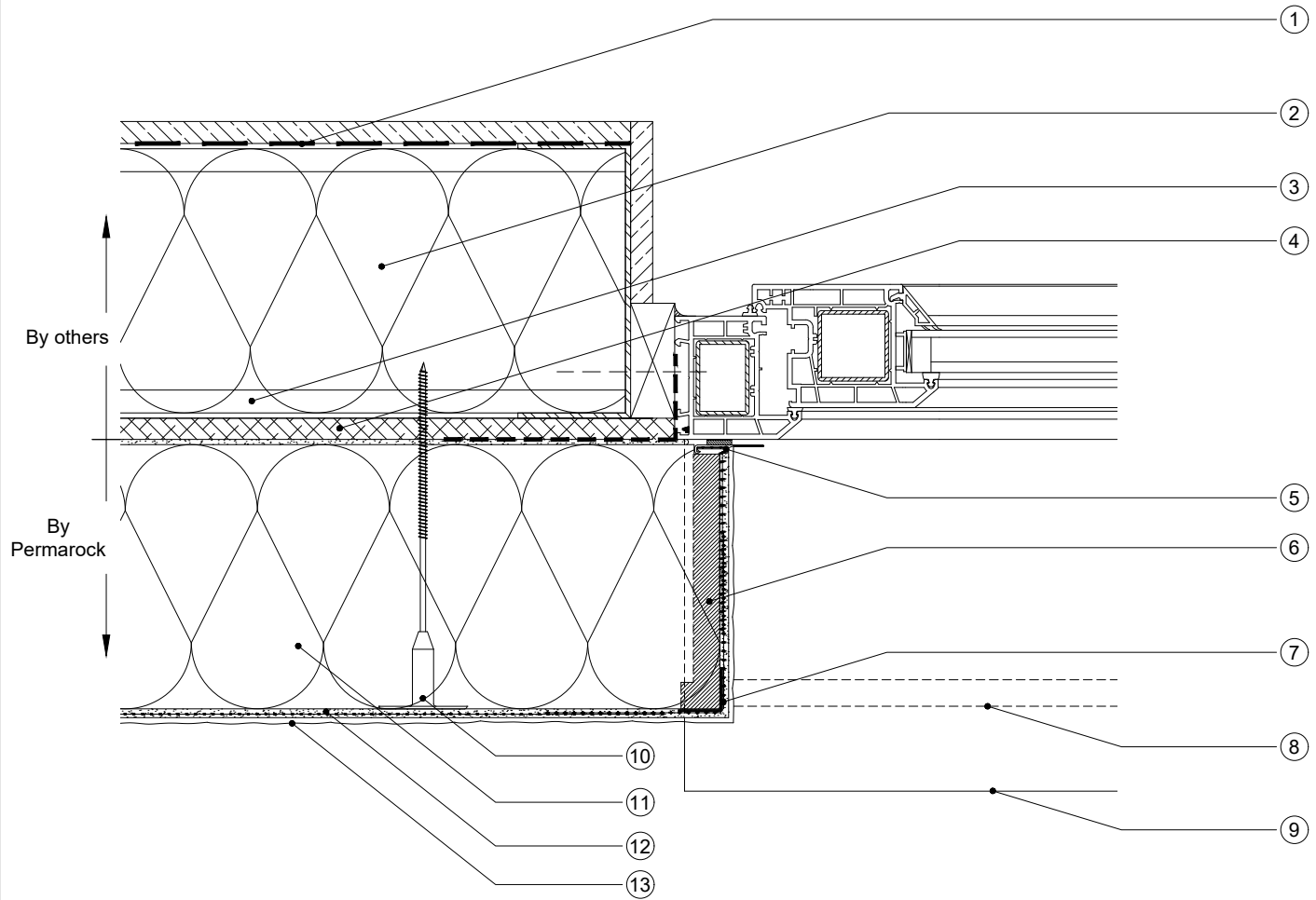


NOTE : Steel frame details and insulation between SFS studs are indicative only.



- | | | |
|--|---|---|
| ① Vapour Control Layer (by others) | ⑥ Permarock Sealing Tape | ⑫ Permarock Bedding Mortar incorporating Permarock Reinforcing Mesh |
| ② Insulation between studs (by others) if required | ⑦ Permarock Corner Bead | ⑬ Permarock Decorative Finish |
| ③ Light weight steel framing | ⑧ Line of sealing tape to top and sides of sill | |
| ④ min 12 mm cement - bonded particle board or other suitable mineral sheathing board (by others) | ⑨ Line of sill | |
| ⑤ Permarock Window Sealing Strip | ⑩ Permarock Insulation Fixing | |
| | ⑪ Permarock Mineral Fibre Insulation on Permarock Lamella Adhesive or Permarock HP Adhesive (100% coverage) | |



Permarock Products Ltd.
Jubilee Drive
Loughborough
Leicestershire
LE11 5TW
Tel: (01509) 262924
Email: permarock@permarock.com
Web: www.permarock.com

Client : -
Project : Standard Detail
Notes :

Title : Plan Section - Window Jamb					Drawn By : TYY	Approved By : JFR
Project Ref : -					Scale : NTS	Date : 03/08/2016
Rev	Date	Amendments	By	Approved	Original Size : A4	Rev.2
2	21/11/24	HP Adhesive	HN	JFR		

Where applicable all dimensions and details should be read in conjunction with specialist consultants drawings and the project specification. All dimensions should be checked on site by the contractor and any discrepancies should be brought to the attention of Permarock Products Ltd.
This drawing is the copyright of Permarock Products Ltd. It shall not be copied to any other third party without the express written consent of Permarock Products Ltd.
DISCLAIMER: Whilst this information/document/proposal (together "Information") is based on the latest manufacturer facts and findings of which we are aware, we are not engaged as a designer or other contractor in respect of your project and so the Information is general in nature and we cannot guarantee that any Information provided meets all of your specific project requirements. Given this, we cannot guarantee that any products selected, specified and/or purchased by you and their proposed applications are fit for the intended purpose. Any specification or purchase by you is at your own risk and we recommend the Information be reviewed and approved by an appropriately qualified professional prior to specification or purchase. Without prejudice to the generality of the foregoing, you (or the appropriately qualified professional from whom you seek advice) shall ensure that any performance criteria and/or coverage rates quoted can be achieved in each instance when compiling or pricing specific projects. To the extent permitted by law, Permarock will not be liable (whether in contract, tort (including negligence), breach of duty, misrepresentation or otherwise) for any loss or liability (of whatsoever kind) arising out of or in connection with any Information we may provide.

Drawing No : LSF006B