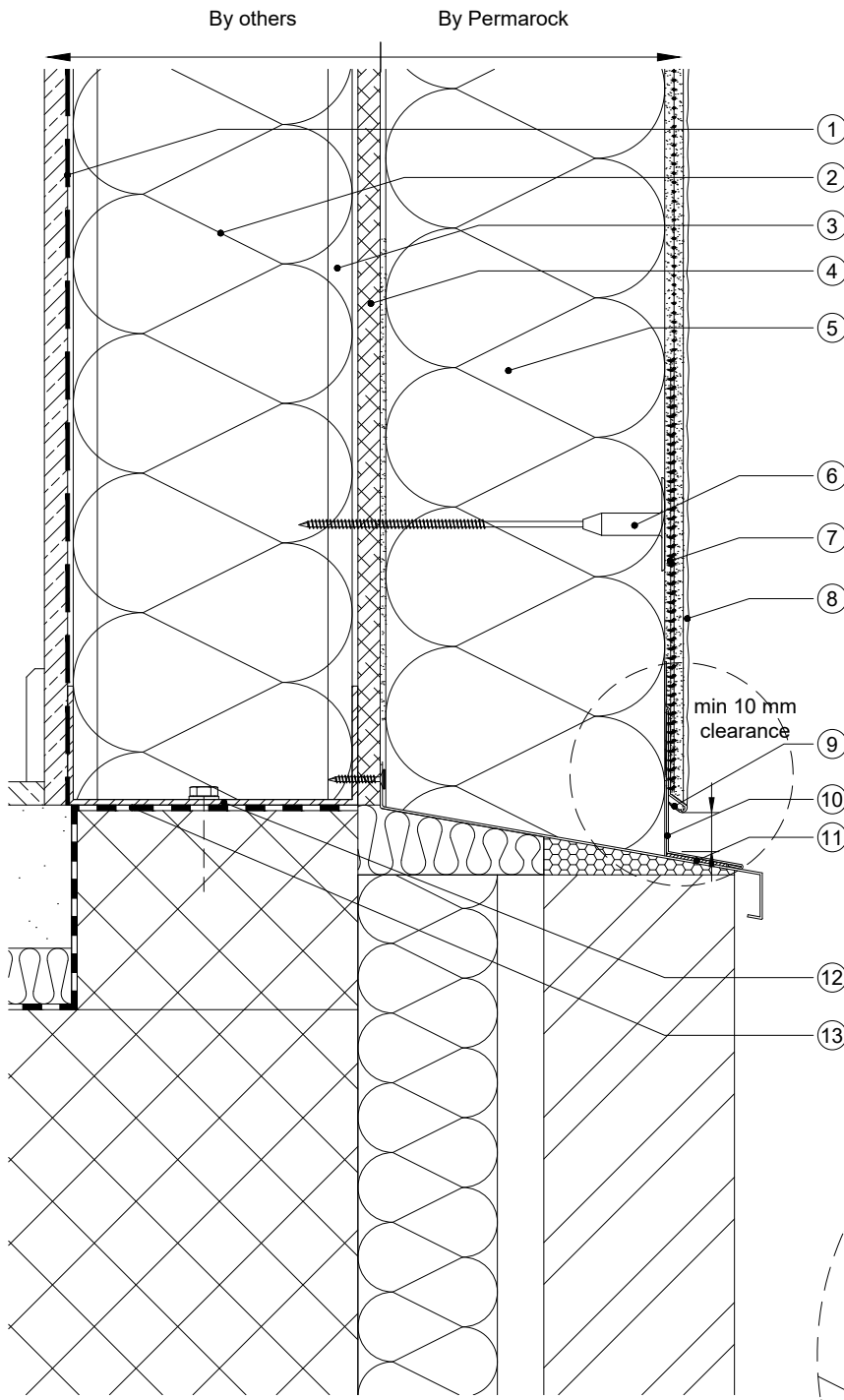
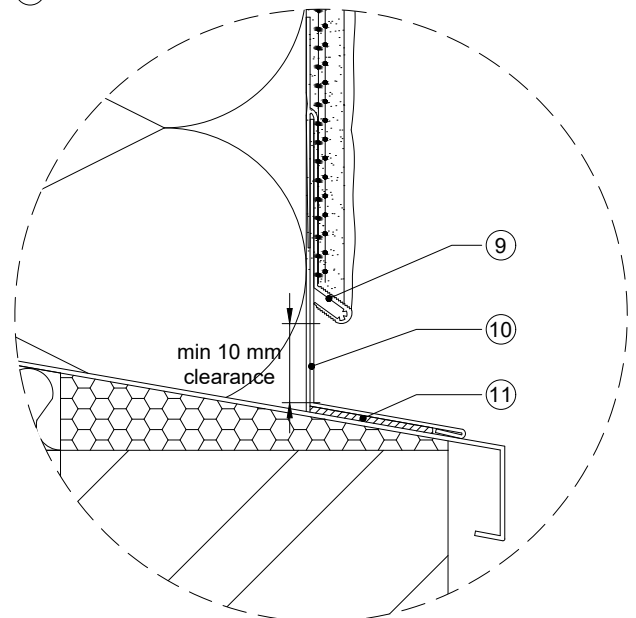


NOTE : Steel frame details and insulation between SFS studs are indicative only.



- ① Vapour Control Layer (by others)
- ② Insulation between studs (by others) if required
- ③ Light weight steel framing
- ④ Min. 12 mm cement - bonded particle board or other suitable mineral sheathing board (by others)
- ⑤ Permarock Mineral Fibre Insulation on Permarock Lamella Adhesive or Permarock HP Adhesive (100% coverage)
- ⑥ Permarock Insulation Fixing
- ⑦ Permarock Bedding Mortar incorporating Permarock Reinforcing Mesh
- ⑧ Permarock Decorative Finish
- ⑨ Permarock LX45 Sheet Connection Profile
- ⑩ PPC Aluminium Sill Connection Angle with folded leading edge RAL Colour to be advised
- ⑪ Permarock Double-sided Self-adhesive Tape (3 mm thick)
- ⑫ Slotted track
- ⑬ DPC



**permarock**  
PRODUCTS LTD

Permarock Products Ltd.  
Jubilee Drive  
Loughborough  
Leicestershire  
LE11 5TW  
Tel: (01509) 262924

Email: permarock@permarock.com  
Web: www.permarock.com

Client : -	Title : Typical Wall Base (4) - 2
Project : Standard Detail	Project Ref : -
Notes :	Rev    Date    Amendments    By    Approved
	2    21/11/24    HP Adhesive    HN    JFR

Drawn By : TYY	Approved By : JFR
Scale : NTS	Date : 30/10/2018
Original Size : A4	Rev.2