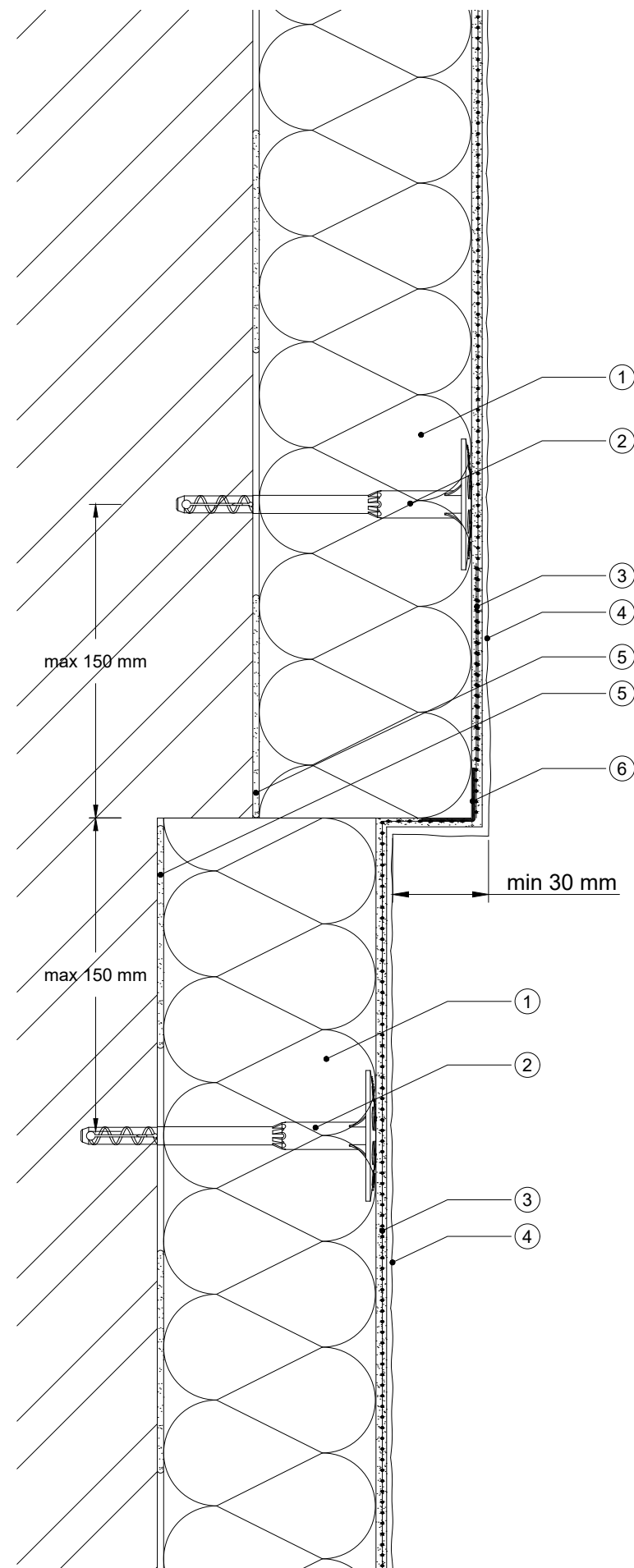
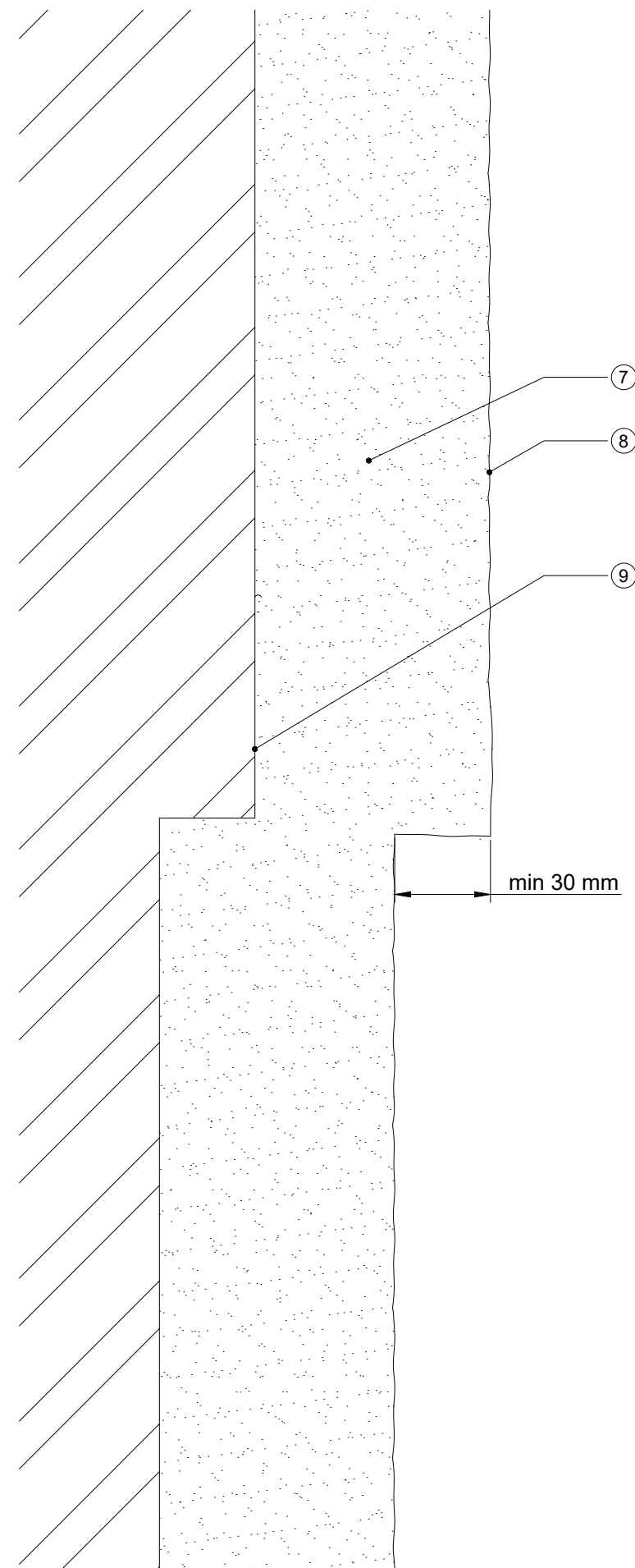


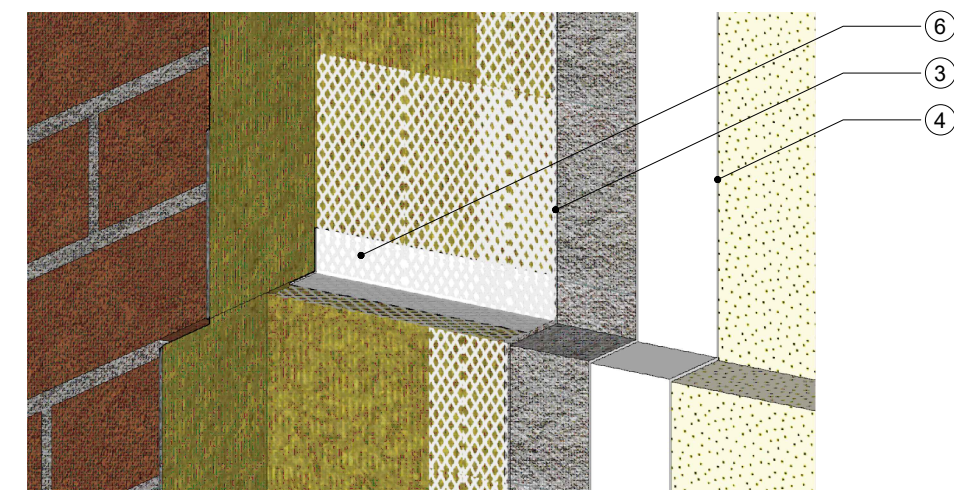
### Section Detail



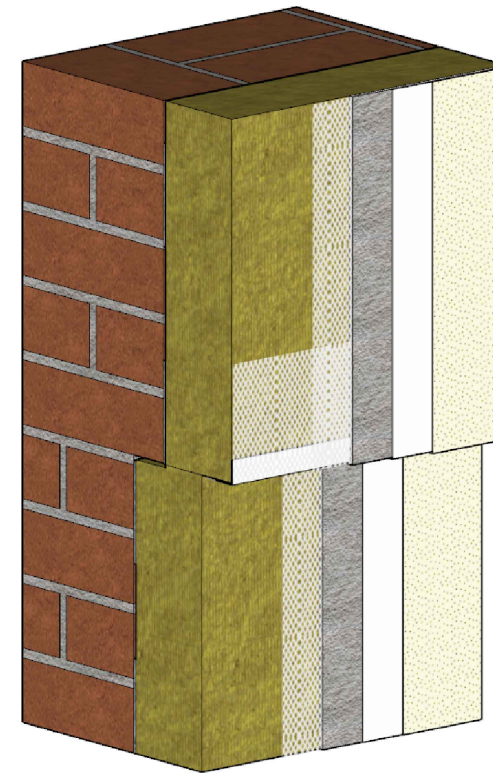
### Finish Detail



### Isometric Detail 1



### Isometric Detail 2



- ① Permarock Insulation (type and thickness to specification) on Permarock Adhesive
- ② Permarock Insulation Fixing
- ③ Permarock Bedding Mortar incorporating Permarock Reinforcing Mesh
- ④ Permarock Decorative Finish
- ⑤ Permarock Adhesive should extend tight up to the edge of the insulation board
- ⑥ Permarock Corner Bead COR/PL/M or COR/AL/M
- ⑦ Render finish at vertical termination
- ⑧ External detail refer to drawing PAS-C001
- ⑨ Details of abutment to wall refer to drawing PAS-T001

Where applicable all dimensions and details should be read in conjunction with specialist consultants drawings and the project specification.

All dimensions should be checked on site by the contractor and any discrepancies should be brought to the attention of Permarock Products Ltd.

This drawing is the copyright of Permarock Products Ltd. It shall not be copied to any other third party without the express written consent of Permarock Products Ltd.

**DISCLAIMER:** Whilst this information/document/proposal (together "Information") is based on the latest manufacturer facts and findings of which we are aware, we are not engaged as a designer or other contractor in respect of your project and so the information is general in nature and we cannot guarantee that any information provided meets all of your specific project requirements. Given this, we cannot guarantee that any products selected, specified and/or purchased by you and their proposed applications are fit for the intended purpose. Any specification or purchase by you is at your own risk and we recommend the information be reviewed and approved by an appropriately qualified professional prior to specification or purchase. Without prejudice to the generality of the foregoing, you (or the appropriately qualified professional from whom you seek advice) shall ensure that any performance criteria and/or coverage rates quoted can be achieved in each instance when compiling or pricing specific projects. To the extent permitted by law, Permarock will not be liable (whether in contract, tort (including negligence), breach of duty, misrepresentation or otherwise) for any loss or liability (of whatsoever kind) arising out of or in connection with any information we may provide.

Notes :

Rev	Date	Amendments	By	Approved



Permarock Products Ltd.  
 Jubilee Drive  
 Loughborough  
 Leicestershire  
 LE11 5TW  
 Tel: (01509) 262924  
 Email: permarock@permarock.com  
 Web: www.permarock.com

Client : -

Project : PAS 2030/2035: 2019 Compliant Projects

Project Ref : -

Title : Staggered wall face: Upper storey projects (2)

Drawn By : HN  
 Approved By : RWT

Date : 15/05/2025  
 Original Size : A3

Scale : NTS

Drawing No : PAS-M002C  
 Rev.